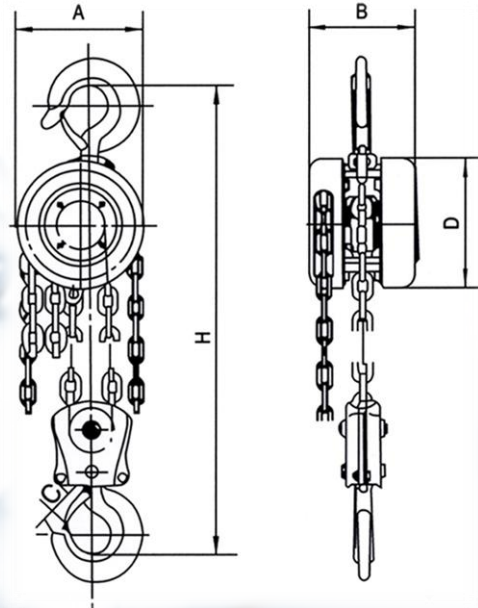


CHAIN BLOCK (HS Type)

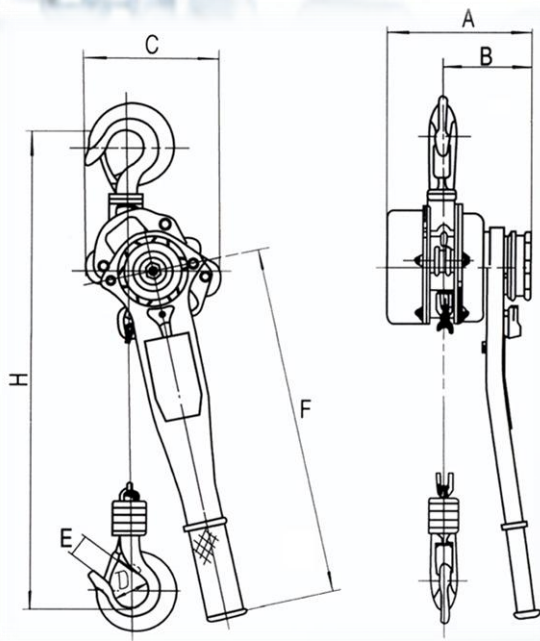


Model	Main Dimensions (mm)				Packing Size (cm)
	A	B	C	D	
HS 0.5	120	108	24	120	28x21x17
HS 1.0	142	122	28	142	30x24x18
HS 1.5	178	139	34	178	34x29x20
HS 2.0	142	122	34	142	33x28x19
HS 3.0	178	139	38	178	38x38x20
HS 5.0	210	162	48	210	45x39x24
HS 10	358	162	64	210	55x51x29
HS 20	580	189	82	210	70x46x75

Model	Capacity	Standard Lift	Running Test Load	Headroom (H Min. Range)	Load Chain		Effort Required	Weight
					Column	Diameter		
HS 0.5	0.5 ton	2.5 m 3 m	0.75 ton	240 mm	1	6 x 18 mm	221 N	8 kg
HS 1.0	1.0 ton	3 m 5 m	1.50 ton	270 mm	1	6 x 18 mm	304 N	10 kg
HS 1.5	1.5 ton	3 m 5 m	2.25 ton	347 mm	1	8 x 24 mm	343 N	16 kg
HS 2.0	2.0 ton	3 m 5 m	3.00 ton	380 mm	2	6 x 18 mm	314 N	14 kg
HS 3.0	3.0 ton	3 m 5 m	4.50 ton	470 mm	2	8 x 24 mm	343 N	24 kg
HS 5.0	5.0 ton	3 m 5 m	6.25 ton	600 mm	2	10 x 30 mm	381 N	36 kg
HS 10	10 ton	5 m	12.50 ton	700 mm	4	10 x 30 mm	392 N	68 kg
HS 20	20 ton	5 m	28.00 ton	1000 mm	8	10 x 30 mm	392 N	155 kg



LEVER BLOCK (HSH Type)

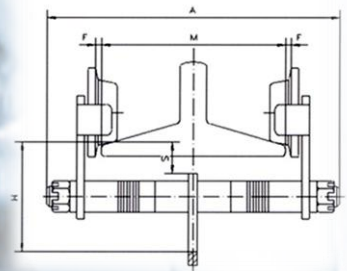
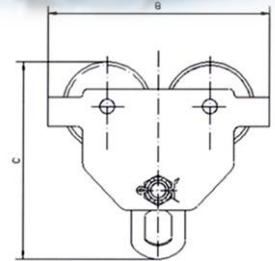
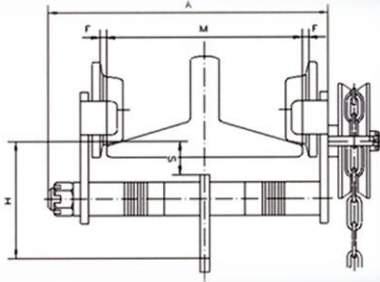
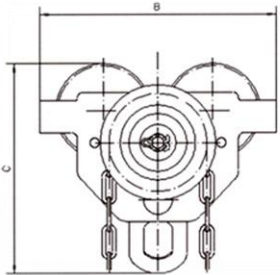


Model	Main Dimensions (mm)						Packing Size (mm)
	A	B	C	D	E	F	
HSH 0.75	139	84	153	38	28	280	382x167x162
HSH 1.50	174	108	160	45	34	410	517x197x177
HSH 3	200	115	186	50	38	410	577x247x217
HSH 6	200	115	230	65	45	410	577x247x217

Model	Capacity	Standard Lift	Running Test Load	Headroom (H Min. Range)	Load Chain		Effort Required	Weight
					Column	Diameter		
HSH 0.75	0.75 ton	1.5 m	1.125 ton	303 mm	1	6.0 x 18 mm	196 N	7 kg
HSH 1.50	1.50 ton	1.5 m	2.25 ton	365 mm	1	7.1 x 18 mm	206 N	11 kg
HSH 3	3 ton	1.5 m	4.50 ton	485 mm	1	10 x 30 mm	324 N	20 kg
HSH 6	6 ton	1.5 m	7.50 ton	600 mm	2	10 x 30 mm	343 N	30 kg

GEARED TROLLEY (GCL-AK)

PLAIN TROLLEY (GCT-AK)



GEARED TROLLEY					PLAIN TROLLEY					
10	5	3	2	1	Capacity (ton)	1	2	3	5	10
122.58	61.29	44.13	29.42	14.71	Test Load (KN)	14.71	29.42	44.13	61.29	122.58
2.0	1.3	1.2	1.0	0.9	Min. Radius of Curve (m)	0.9	1.0	1.2	1.3	2.0
423	373	358	350	336	A	A	310	325	345	360
424	362	322	268	236	B	B	236	268	322	362
396	342	295	247	208	C	C	208	247	295	342
190	185	157	134	111	H	H	111	134	157	185
2-3.5	2-3.5	2-3.5	1.5-3	1.5-3	F	F	1.5-3	1.5-3	1.5-3	1.5-3
40	36	32	30	28	S(≥)	S(≥)	28	30	32	36
124-203	114-203	100-203	88-203	64-203	I-Beam Width (mm)		64-203	88-203	100-203	114-203
88	42	28.5	18	13	Weight (kg)		9.5	14.5	24.5	37.8

