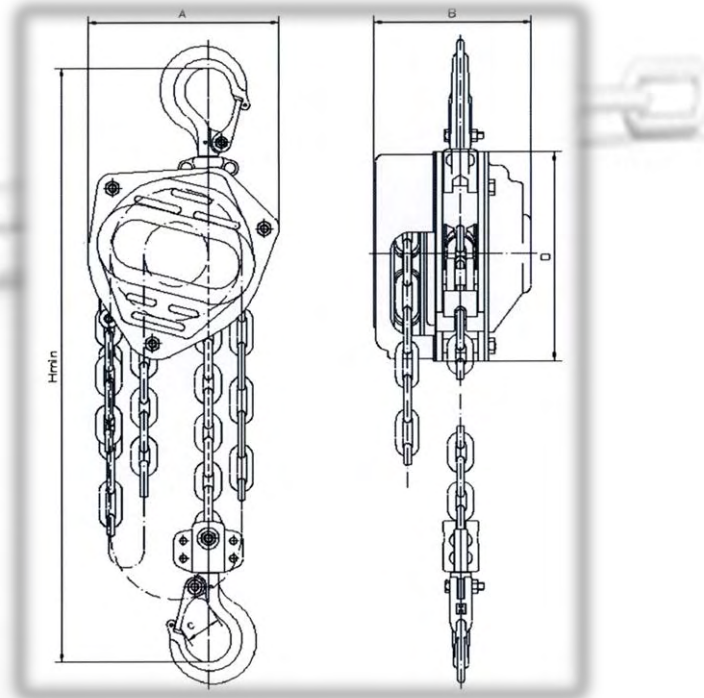


CHAIN BLOCK (HS-J Type)

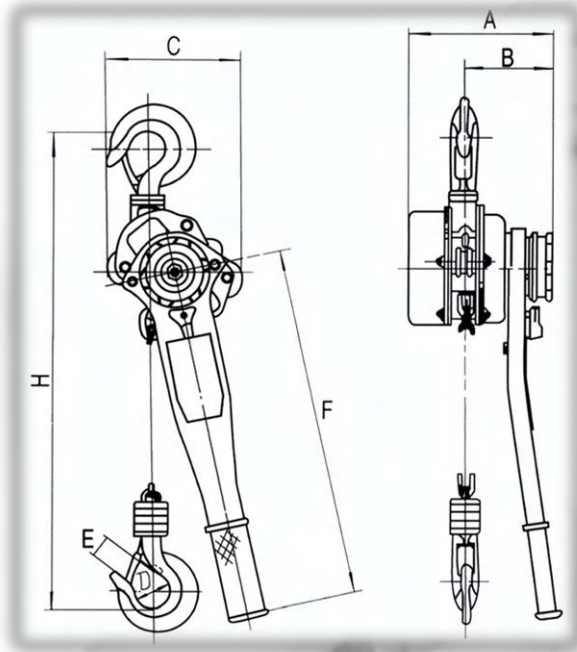


Model	Main Dimensions (mm)				Packing Size (cm)
	A	B	C	D	
HS-J 0.5	138	114	21.5	145	28x21x17
HS-J 1.0	164	124	27	182	30x24x18
HS-J 1.5	198	142	30	219	34x29x21
HS-J 2.0	164	124	30	182	33x28x19
HS-J 3.0	195	142	37	219	38x33x20
HS-J 5.0	228	167	46	252	45x39x24
HS-J 10	367	167	54	252	55x51x29

Model	Capacity	Standard Lift	Running Test Load	Headroom (H Min. Range)	Load Chain Column	Load Chain Diameter	Effort Required	Weight
HS-J 0.5	0.5 ton	3 m 5 m	0.75 ton	271 mm	1	6 x 18 mm	221 N	9 kg
HS-J 1.0	1.0 ton	3 m 5 m	1.50 ton	400 mm	1	6 x 18 mm	304 N	11 kg
HS-J 1.5	1.5 ton	3 m 5 m	2.25 ton	453 mm	1	8 x 24 mm	343 N	17 kg
HS-J 2.0	2.0 ton	3 m 5 m	3.00 ton	420 mm	2	6 x 18 mm	314 N	15 kg
HS-J 3.0	3.0 ton	3 m 5 m	4.50 ton	620 mm	2	8 x 24 mm	343 N	24 kg
HS-J 5.0	5.0 ton	3 m 5 m	6.25 ton	704 mm	2	10 x 30 mm	382 N	39 kg
HS-J 10	10 ton	5 m	12.50 ton	720 mm	4	10 x 30 mm	392 N	72 kg



LEVER BLOCK (HSH Type)



Model	Main Dimensions (mm)						Packing Size (mm)
	A	B	C	D	E	F	
HSH 0.75	155	95	135	37	30	285	355x140x165
HSH 1.50	180	105	155	45	36	370	465x155x190
HSH 3	215	130	200	50	40	410	510x190x215
HSH 6	215	130	200	64	50	410	530x220x215

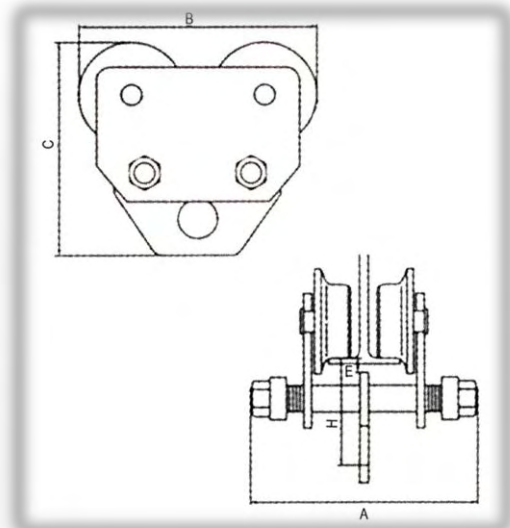
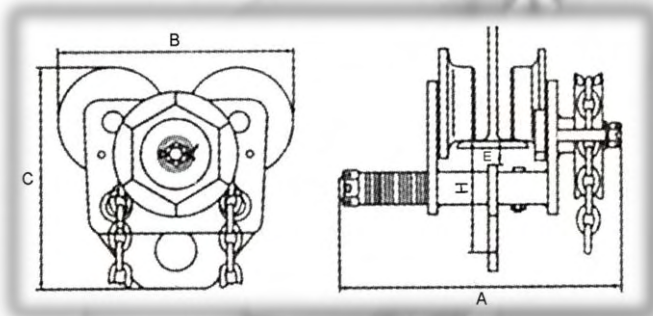
Model	Capacity	Standard Lift	Running Test Load	Headroom (H min. range)	Load Chain		Effort Required	Weight
					Column	Diameter		
HSH 0.75	0.75 ton	1.5 m	11.0 Kn	320 mm	1	6 mm	140 N	7.7 kg
HSH 1.50	1.50 ton	1.5 m	22.5 Kn	380 mm	1	8 mm	240 N	11.8 kg
HSH 3	3 ton	1.5 m	37.5 Kn	480 mm	1	10 mm	320 N	21 kg
HSH 6	6 ton	1.5 m	75.0 Kn	600 mm	2	10 mm	340 N	32 kg



GEARED TROLLEY (KWD-III)



PLAIN TROLLEY (KWD-II)



GEARED TROLLEY					PLAIN TROLLEY					
10	5	3	2	1	Capacity (ton)	1	2	3	5	10
122.58	61.29	44.13	29.42	14.71	Test Load (KN)	14.71	29.42	44.13	61.29	122.58
1.7	1.4	1.3	1.1	1.0	Min. Radius of Curve (m)	1.0	1.1	1.3	1.4	1.7
423	328	289	278	246	A	A	206	240	252	294
390	302	276	233	206	B	B	206	233	276	302
416	327	283	238	194	C	C	194	238	283	327
212	170	145	126	97	H	H	97	126	145	170
42	35	28	28	22	E	E	22	28	28	35
125-210	125-175	100-150	100-150	75-125	I-Beam Width (mm)	75-125	100-150	100-150	125-175	125-210
82.0	42.6	28.9	18.8	12.2	Net Weight (kg)	8.0	14.6	24.2	38.4	78.0

