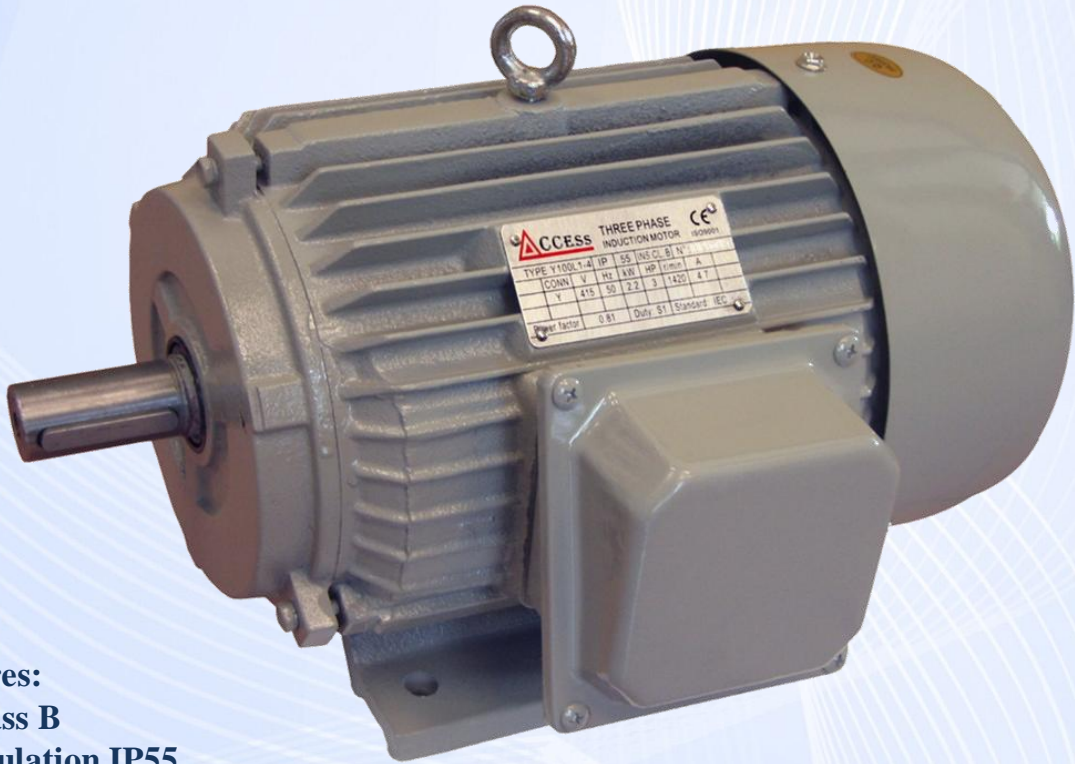


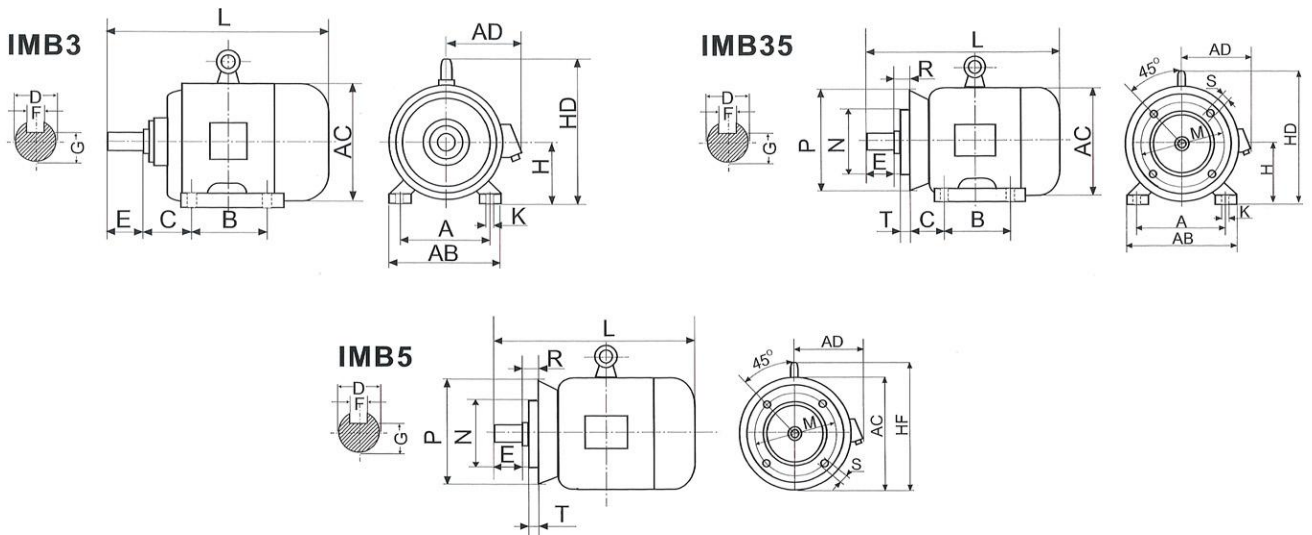
# Y

## SERIES THREE-PHASE MOTOR



### Features:

- Class B
- Insulation IP55
- with IC0141 cooling
- for continuous S1 duty



## TECHNICAL DATA

Model	Rated Output		Full Load				Ist/IN Locked Current	Tst/TN Locked Torque	TM/IN Max Torque	Net Weight (B3) Kg
	kW	HP	Speed (r.p.m)	Current (A)	Eff. (%)	Power Factor (cos)	Rated Current	Rated Current	Rated Current	
415V 50Hz synchronous Speed 3000r/min (2 Poles)										
Y-801-2	0.75	1	2830	1.81	75.0	0.84	6.5	2.2	2.3	17
Y-802-2	1.1	1.5	2830	2.52	77.0	0.86	7.0	2.2	2.3	18
Y-90S-2	1.5	2	2840	3.44	78.0	0.85	7.0	2.2	2.3	22
Y-90L-2	2.2	3	2840	4.83	80.5	0.86	7.0	2.2	2.3	26
Y-100L-2	3	4	2870	6.39	82.0	0.87	7.0	2.2	2.3	35
Y-112M-2	4	5.5	2890	8.17	85.5	0.88	7.0	2.2	2.3	45
Y-132S1-2	5.5	7.5	2900	11.1	85.5	0.88	7.0	2.0	2.3	67
Y-132S2-2	7.5	10	2900	15.0	86.2	0.88	7.0	2.0	2.3	71
Y-160M1-2	11	15	2930	21.8	87.2	0.88	7.0	2.0	2.3	118
Y-160M2-2	15	20	2930	29.4	88.2	0.89	7.0	2.0	2.3	130
Y-160L-2	18.5	25	2930	35.5	89.0	0.89	7.0	2.0	2.2	150
Y-180M-2	22	30	2940	42.2	89.0	0.89	7.0	2.0	2.2	175
Y-200L1-2	30	40	2950	56.9	90.0	0.89	7.0	2.0	2.2	227
Y-200L2-2	37	50	2950	69.8	90.5	0.89	7.0	2.0	2.2	255
415V 50Hz synchronous Speed 1500r/min (4 Poles)										
Y-801-4	0.55	0.75	1390	1.51	73.0	0.76	6.0	2.4	2.3	17
Y-802-4	0.75	1	1390	2.01	74.5	0.76	6.0	2.3	2.3	18
Y-90S-4	1.1	1.5	1400	2.75	78.0	0.78	6.5	2.3	2.3	23
Y-90L-4	1.5	2	1400	3.65	79.0	0.79	6.5	2.3	2.3	27
Y-100L1-4	2.2	3	1430	5.03	81.0	0.82	7.0	2.2	2.3	35
Y-100L2-4	3	4	1430	6.82	82.5	0.81	7.0	2.2	2.3	38
Y-112M-4	4	5.5	1440	8.77	84.5	0.82	7.0	2.2	2.3	49
Y-132S-4	5.5	7.5	1440	11.6	85.5	0.84	7.0	2.2	2.3	67
Y-132M-4	7.5	10	1440	15.4	87.0	0.85	7.0	2.2	2.3	80
Y-160M-4	11	15	1460	22.6	88.0	0.84	7.0	2.2	2.3	124
Y-160L-4	15	20	1460	30.3	88.5	0.85	7.0	2.2	2.3	147
Y-180M-4	18.5	25	1470	35.9	91.0	0.86	7.0	2.0	2.2	169
Y-180L-4	22	30	1470	42.5	91.5	0.86	7.0	2.0	2.2	184
Y-200L-4	30	40	1470	56.8	92.2	0.87	7.0	2.0	2.2	241
Y-225S-4	37	50	1480	70.4	91.8	0.87	7.0	1.9	2.2	300

## INSTALLATION DIMENSIONS

Frame Size	Mounting Dimensions (mm)															Frame Dimensions (mm)				
	A	B	C	D	E	F	G	H	K	M	N	P	R	S	T	AB	AC	AD	HD	L
80	125	100	50	19	40	6	15.5	80	10	165	130	200	0	12	3.5	165	175	150	-	285
90S	140	100	56	24	50	8	20	90	10	165	130	200	0	12	3.5	180	195	160	-	311
90L	140	125	56	24	50	8	20	90	10	165	130	200	0	12	3.5	180	195	160	-	335
100L	160	140	63	28	60	8	24	100	12	215	180	250	0	15	4	205	215	180	245	380
112M	190	140	70	28	60	8	24	112	12	215	180	250	0	15	4	245	240	190	265	400
132S	216	140	89	38	80	10	33	132	12	265	230	300	0	15	4	280	275	210	315	475
132M	216	178	89	38	80	10	33	132	12	265	230	300	0	15	4	280	275	210	315	515
160M	254	210	108	42	110	12	37	160	15	300	250	350	0	19	5	325	325	255	385	600
160L	254	254	108	42	110	12	37	160	15	300	250	350	0	19	5	325	325	255	385	645
180M	279	241	121	48	110	14	42.5	180	15	300	250	350	0	19	5	355	360	285	430	670
180L	279	279	121	48	110	14	42.5	180	15	300	250	350	0	19	5	355	360	285	430	710
200L	318	305	133	55	110	16	49	200	19	350	300	400	0	19	5	395	420	315	475	775