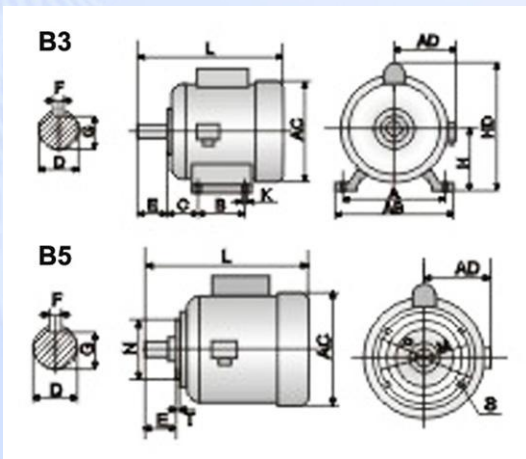
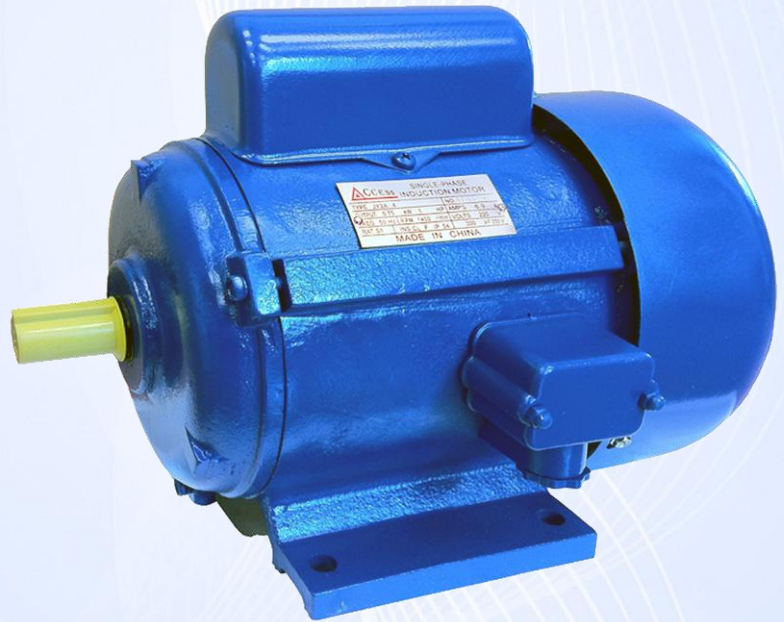


# JY

## SERIES SINGLE-PHASE MOTOR

### Features:

- Protection class: IP54
- Insulation class: F
- Cooling method: IC0141
- Rated frequency: 50Hz



### OVERALL AND MOUNTING DIMENSIONS

Frame Size	Mounting Dimensions (mm)														Frame Dimensions (mm)					
	A	B	C	D	E	F	G	H	K	M	N	P	R	S	T	AB	AC	AD	HD	L
2	160	112	63	19	40	6	15.5	100	12	115	95	140	0	M8	3	190	190	128	246	330
1	140	100	56	16	40	5	13	90	10	100	80	140	0	M8	3	176	176	121	220	286

### TECHNICAL DATA

Frame Size	Type	Output		Speed (r.p.m)	Power Factor	Eff. (%)	Tmax/Tn	Tst/Tn
		kW	HP					
2	JY2 A-2	1.1	1.5	2850	0.77	71	1.8-2	2-3.5
	JY2 A-4	0.75	1	1400	0.68	69	1.8-2	2-3.5
	JY2 B-2	0.75	1	2850	0.75	70	1.8-2	2-3.5
	JY2 B-4	0.55	3/4	1400	0.68	67	1.8-2	2-3.5
1	JY1 A-2	0.55	3/4	2800	0.72	66	1.8-2	2-3.5
	JY1 B-2	0.37	1/2	2800	0.72	66	1.8-2	2-3.5
	JY1 A-4	0.37	1/2	1400	0.62	64	1.8-2	2-3.5
	JY1 B-4	0.25	1/3	1400	0.62	60	1.8-2	2-3.5